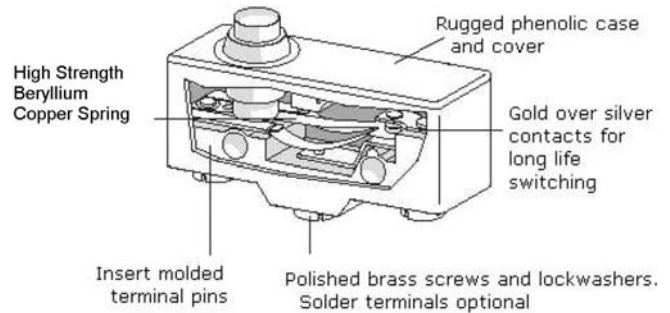


# General Purpose Snap Action Switch GP Series



## Features

- Ultra-small travel differential
- Mechanical life tested to over 20 million cycles
- Current rating up to 20 amps
- Wide variety of actuators
- Screw or solder terminals available
- VDE standard on 15A switches with screw terminals

Electrical Ratings		
<b>Switch Series</b>	<b>UL508</b>	<b>VDE Approval to EN60947</b>
<b>GP*B</b>	20A 250VAC	N/A
<b>GP*C</b>	15A 250VAC	15A 250VAC (Note: Only screw terminals have VDE approval)

Technical Specifications		Material Specifications	
<b>Temperature Rating:</b>	0°C + 55°C Max UL - 5°C to + 40°C VDE	<b>Case / Cover</b>	Phenolic
<b>Dielectric Strength</b>	1000 VAC 50/60 Hz for 1 minute	<b>Spring</b>	Beryllium Copper
<b>Insulation Resistance</b>	100M ohms min at 500 VDC	<b>Contacts:</b>	Silver Alloy
<b>Initial Contact Resistance</b>	15m ohms max	<b>Terminals:</b>	Screw Terminals: Brass Solder Terminals: Copper Alloy
		<b>Contacts:</b>	Silver Alloy
<b>Mounting:</b>	US Holes: #6-32 Fastener with 6.0 In-Lb Max Torque Metric Holes: M4 Fastener with 6.0 In-Lb Max Torque		
<b>UL File Number:</b>	E184788	<b>Lever Actuator:</b>	Nickel Plated Steel

RoHS Compliant

Specifications subject to change without notice

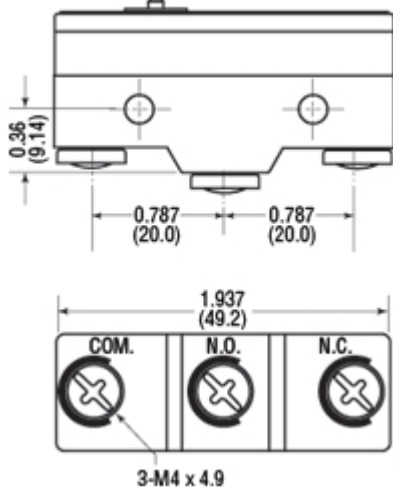


VDE for 15 amp  
with screw  
terminals only

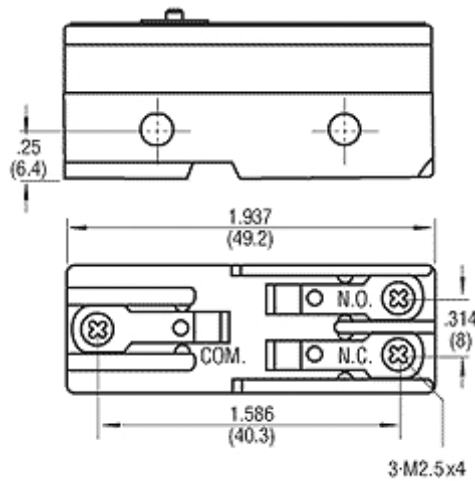


# General Purpose Snap Action Switch GP Series

## Terminal Types

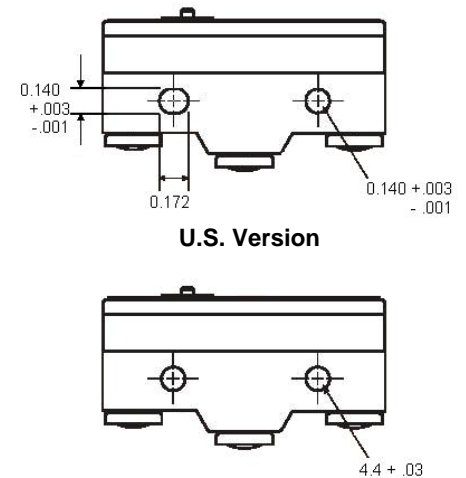


**Screw Terminal**



**Solder Terminal**

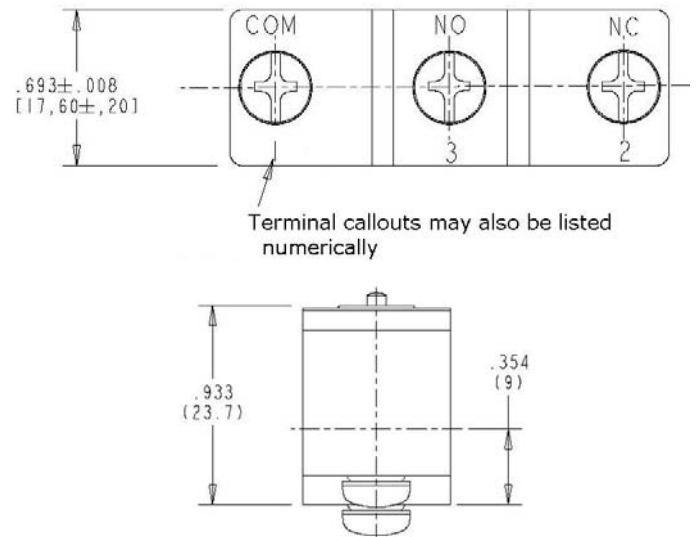
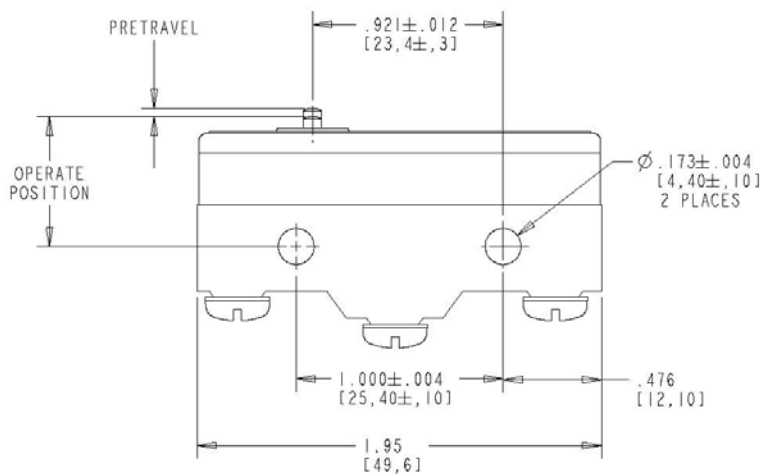
## Mounting Holes



**U.S. Version**

**Metric Version**

## Dimensions inches(mm)



Note: GP Series switches are available with screw or solder terminals and with U.S. or metric holes

- For solder terminals, replace the "T" in the third position of the part number with an "S" (e.g. GPSCNA11 was GPTCNA11)
- For metric holes, replace the "1" in the seventh position with a "0" (e.g. GPTCNA01 was GPTCNA11)

	Part Number	Operating Force Maximum (oz)	Release Force Minimum (oz)	Pretravel Maximum inches (mm)	Operating Point Min/Max inches (mm)	Overtravel Minimum inches (mm)	Movement Differential Maximum inches (mm)	Mounting Hole	Terminal Type
	GPTCLS11	2.5	0.5	0.394 (10.00)	0.716 / 0.780 (18.20 / 19.80)	0.220 (5.61)	0.050 (1.27)	U.S.	Screw
	GPTBLS11	2.8	0.5	0.394 (10.00)	0.716 / 0.780 (18.20 / 19.80)	0.220 (5.61)	0.050 (1.27)	U.S.	Screw
	GPTCNH11	12.3	4	0.016 (0.41)	0.826 / 0.890 (20.98 / 22.60)	0.217 (5.51)	.002 (0.05)	U.S.	Screw
	GPTBNH11	22.9	7.1	0.028 (0.70)	0.826 / 0.890 (21.00 / 22.60)	0.217 (5.51)	0.008 (0.20)	U.S.	Screw
	GPTCRH11	12.3	4	0.016 (0.41)	1.27 / 1.36 (32.2 / 34.6)	0.141 (3.58)	0.016 (0.4)	U.S.	Screw
	GPTBRH11	22.9	7.1	0.028 (0.70)	1.268 / 1.362 (32.20 / 34.60)	0.141 (3.58)	0.008 (0.20)	U.S.	Screw
	GPTCLS01	2.5	0.5	0.394 (10.00)	0.716 / 0.780 (18.20 / 19.80)	0.220 (5.6)	0.050 (1.27)	Metric	Screw
	GPTCNH01	12.3	4	0.016 (0.41)	0.826 / 0.890 (20.98 / 22.60)	0.216 (5.5)	0.002 (0.05)	Metric	Screw
	GPTCRM01	5.6	1.5	0.106 (2.70)	1.17 / 1.21 (29.80 / 30.60)	0.094 (2.40)	0.020 (0.50)	Metric	Screw
	GPTCRM11	5.6	1.5	0.106 (2.70)	1.17 / 1.21 (29.80 / 30.60)	0.094 (2.40)	0.020 (0.50)	U.S.	Screw
	GPTCRS01	3.5	0.8	0.280 (7.10)	1.16 / 1.22 (29.40 / 31.00)	0.158 (4.00)	0.040 (1.02)	Metric	Screw
	GPTCRS11	3.5	0.8	0.280 (7.10)	1.16 / 1.22 (29.40 / 31.00)	0.158 (4.00)	0.040 (1.02)	U.S.	Screw
	GPTCNC11	12.3	4	0.016 (0.40)	0.826 / 0.866 (21.00 / 22.00)	0.063 (1.60)	0.002 (0.05)	U.S.	Screw
	GPTBNC11	23	7.1	0.028 (0.7)	0.826 / 0.866 (21.00 / 22.00)	0.062 (1.6)	0.007 (0.18)	U.S.	Screw

Specifications subject to change without notice

## Contact

---

Call, fax or visit our  
Website for more information.

**ZF Electronics Corporation**  
11200 88th Avenue  
Pleasant Prairie, WI 53158

Phone: 262.942.6500  
Web: [www.cherrycorp.com](http://www.cherrycorp.com)  
Email: [cep\\_sales@zf.com](mailto:cep_sales@zf.com)  
Fax: 262.942.6566

The manufacturer accepts no liability  
for errors or non-availability, and  
reserves the right to change  
specifications without prior notice.

Technical data relates to product  
specifications only. Features may differ  
from those described. Only drawings  
combined with product specifications  
shall be deemed binding.

© 2007 ZF Electronics Corporation

Last Updated: 030912

